

Official Statistics
Game Fifteen
Laurel County vs. Clark County

ade

30th Girls' Sweet Sixteen

FARNHAM DUDGEON CENTER, FRANKF... 20-...

OFFICIAL NCAA BASKETBALL BOX SCORE: *** FINAL ***
 Date: 03-23-91 Site: Frankfort, Ky.

VISITORS (Last Name, First)

NO.	GEORGE ROGERS CLARK	Tot FG		3-POINT		FT	FTA	Rebounds			PF	TP	A	TO	BLK	S	TIME	
		FG	FGA	FG	FGA			OFF	DEF	TOT								
14	Davis, Tiffany	1	2	0	0	1	2	1	2	3	1	3	0	1	0	0	29:38	
32	Davis, Stephany	4	11	0	0	2	6	5	0	5	3	10	0	5	0	5	32:00	
30	Conkwright, C.	1	4	0	0	0	0	0	2	2	3	2	0	1	0	0	18:51	
11	Lightner, Mary	2	5	1	2	0	0	2	1	3	4	5	0	4	0	0	32:00	
12	Thomas, Maisha	3	9	0	1	4	11	3	5	8	2	10	2	4	2	0	32:00	
22	Poole, Anne	0	1	0	0	1	2	1	2	3	1	1	1	0	1	0	15:06	
31	Caywood, Tara	0	0	0	0	0	0	0	0	0	1	0	0	0	0	1	0:25	
TEAM REBOUNDS (INCLUDED IN TOTALS)																		
TOTALS		11	32	1	3	8	21	12	12	24	15	31		3	15	3	6	160

TOTAL FG 1st HALF 0/4 0.0% 2nd HALF 11/28 39.3% GAME 11/32 34.4% DEADBALL
 3-POINT FG 1st HALF 0/0 0.0% 2nd HALF 1/3 33.3% GAME 1/3 33.3% REBOUNDS 7
 FREE THROWS 1st HALF 0/0 0.0% 2nd HALF 8/21 38.1% GAME 8/21 38.1%

HOME (Last Name, First)

NO.	LAUREL COUNTY	Tot FG		3-POINT		FT	FTA	Rebounds			PF	TP	A	TO	BLK	S	TIME	
		FG	FGA	FG	FGA			OFF	DEF	TOT								
25	Minor, Dee	2	4	0	1	2	2	0	0	0	2	6	1	2	0	2	32:00	
32	Isaacs, Julie	1	1	0	0	0	0	0	3	3	2	2	0	3	0	0	32:00	
34	Steele, Joy	3	5	0	0	5	6	3	1	4	4	11	0	2	0	2	14:52	
04	Reed, Stacey	5	13	1	2	0	2	1	2	3	5	11	4	5	0	4	30:54	
22	Goforth, Steph.	0	1	0	0	0	0	0	2	2	2	0	1	0	0	0	32:00	
12	Collett, Steph.	0	0	0	0	3	4	0	4	4	1	3	0	3	1	2	17:19	
23	Walker, Tiffany	0	1	0	0	0	0	0	0	0	1	0	0	1	0	0	0:55	
TEAM REBOUNDS (INCLUDED IN TOTALS)																		
TOTALS		11	25	1	3	10	14	4	13	17	17	33		6	16	1	10	160

TOTAL FG 1st HALF 4/9 44.4% 2nd HALF 7/16 43.8% GAME 11/25 44.0% DEADBALL
 3-POINT FG 1st HALF 1/2 50.0% 2nd HALF 0/1 0.0% GAME 1/3 33.3% Rebounds 4
 FREE THROWS 1st HALF 2/2 100.0% 2nd HALF 8/12 66.7% GAME 10/14 71.4%

OFFICIALS: David Hale, Cathy Stovall, D. Newton
 Technicals: None

SCORE BY PERIODS

GEORGE ROGERS CLARK	0	8	7	16	=	31
LAUREL COUNTY	11	6	5	11	=	33

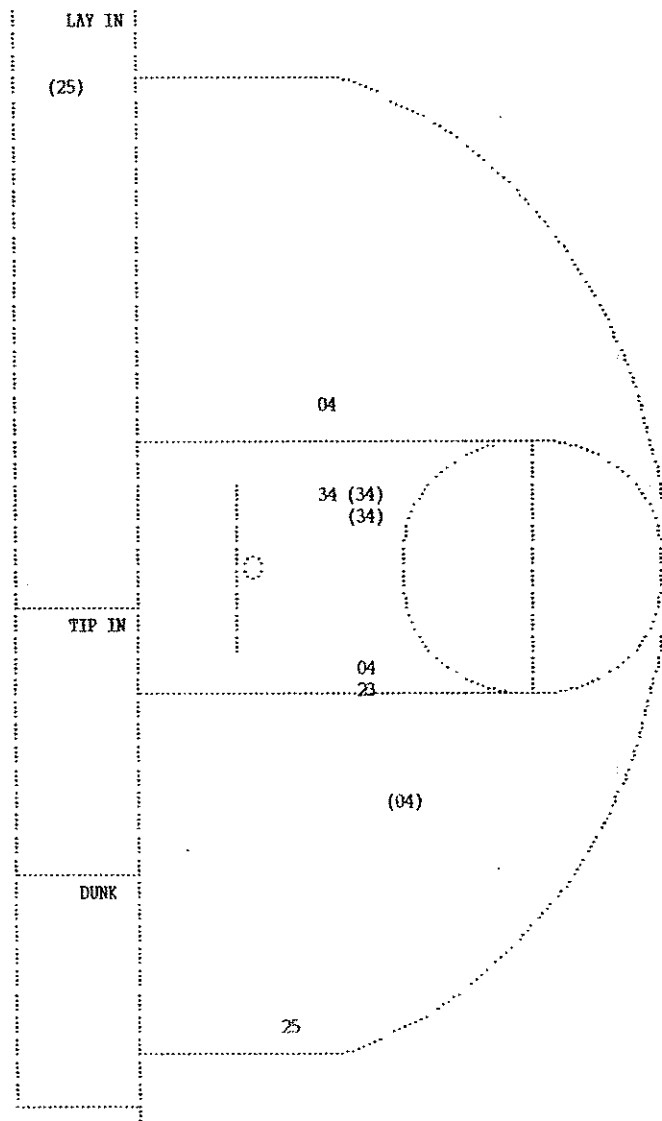
Attendance: 5,265

COMMENTS: POINTS OFF TURNOVERS	15	GEORGE ROGERS CLARK	14	LAUREL COUNTY
GEORGE ROGERS CLARK	12	LAUREL COUNTY		

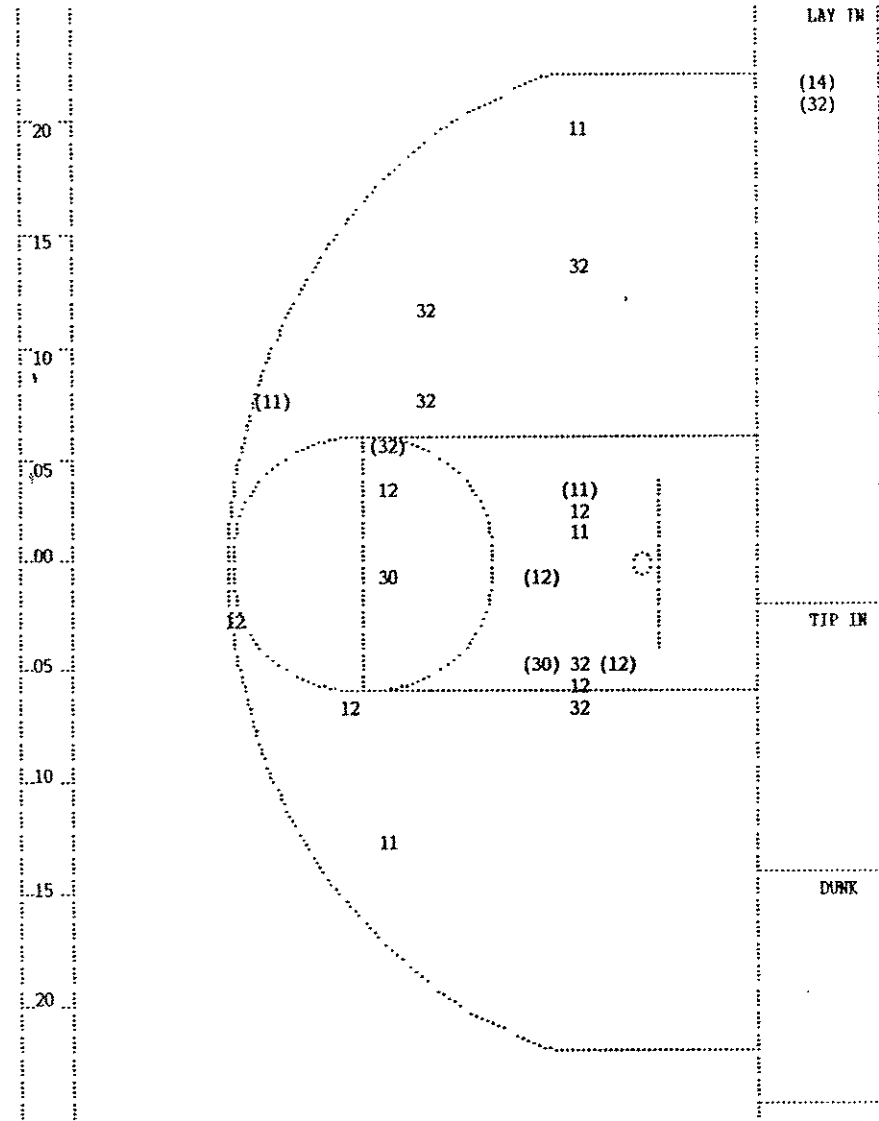
Player	Team	LAUREL COUNTY	Time	Score	GEORGE ROGERS CLARK	Player	Team
		Sub In: Steele, Joy Out: Reed, Stacey	4 1:06		Sub In: Caywood, Tara Out: Conkwright, C.		
		REB: 5 A: 1 BLK: 1 TO: 5 PF: 5 S: 0 FT: 2-4 50.0% FG: 2-3 66.6%	4 1:06	28-25*	Davis, Stephany, 2 Free Throws missed 1st made 2nd	2-4	50.0% 4-8 50.0%
		No. 2 LAUREL COUNTY	4 1:06		T I M E - O U T		
			4 1:04		Steal by Davis, Stephany	4	4
2	6	Unforced Error Collett, Steph.	4 1:04				
1	6	Foul on Collett, Steph.	4 1:04				
		Sub In: Walker, Tiffany Out: Steele, Joy	4 1:04				
			4 1:04		Davis, Stephany, 2 Free Throws missed both	2-6	33.3% 4-10 40.0%
			4 1:02		Rebound by Thomas, Maisha	0-1	Tot-2 0-6 Tot-8
			4 1:02	28-27*	4 ft Lane Follow by Thomas, Maisha , made	1-4	25.0% 4-12 33.3%
			4 :52.4		Steal by Caywood, Tara	1	5
1	7	Bad Pass by Walker, Tiffany	4 :49.6				
			4 :49.		Sub In: Conkwright, C. Out: Caywood, Tara		
		REB: 5 A: 1 BLK: 1 TO: 7 PF: 6 S: 0 FT: 2-4 50.0% FG: 2-3 66.6%	4 :46.4		REB: 8 A: 1 BLK: 1 TO: 1 PF: 5 T I M E - O U T GEORGE ROGERS CLARK No. 2	S: 5 FT: 4-10 40.0% FG: 4-12 33.3%	
1	1	Steal by Collett, Steph.	4 :42.1				
0-1	00.0%	2-4 50.0%	4 :39.8		Dribbling Error on Thomas, Maisha	2	2
		6 ft Lane Jump shot by Walker, Tiffany, missed	4 :34.2				
			4 :33.5		Rebound by Conkwright, C.	D-1	Tot-1 D-3 Tot-9
1	2	Steal by Minor, Dee	4 :21.6				
			4 :21.6		Bad Pass by Lightner, Mary	1	3
			4 :21.6		Foul on Davis, Stephany	3	6
2-2	100%	4-6 66.6%	4 :21.6	*30-27			
		REB: 5 A: 1 BLK: 1 TO: 7 PF: 6 S: 2 FT: 4-6 66.6% FG: 2-4 50.0%	4 :21.6		REB: 9 A: 1 BLK: 1 TO: 3 PF: 6 T I M E - O U T GEORGE ROGERS CLARK No. 3	S: 5 FT: 4-10 40.0% FG: 4-12 33.3%	
			4 :15.9		4 ft Lane Driving by Thomas, Maisha , missed	1-5	20.0% 4-13 30.7%
D-1	Tot-1	D-5 Tot-5	4 :14.3				
		Rebound by TEAM	4 :11.6		Foul on Thomas, Maisha	2	7
3-4	75.0%	5-8 62.5%	4 :11.6	*31-27			
		REB: 5 A: 1 BLK: 1 TO: 7 PF: 6 S: 2 FT: 5-8 62.5% FG: 2-4 50.0%	4 :11.6		REB: 9 A: 1 BLK: 1 TO: 3 PF: 7 T I M E - O U T	S: 5 FT: 4-10 40.0% FG: 4-13 30.7%	
1	7	Foul on Walker, Tiffany	4 :09.7				
			4 :09.7		Sub In: Caywood, Tara Out: Conkwright, C.		
		Sub In: Steele, Joy Out: Walker, Tiffany	4 :09.7				
			4 :09.7	31-28*	Thomas, Maisha , 2 Free Throws missed 1st made 2nd	2-4	50.0% 5-12 41.6%
			4 :06.6		Foul on Lightner, Mary	2	8
			4 :06.6		Sub In: Conkwright, C. Out: Caywood, Tara		
2-2	100%	7-10 70.0%	4 :06.6	*33-28			
		Steele, Joy, 2 Free Throws made both	4 :00.9	33-31*	3 pt 20 ft Left Angle Jump shot by Lightner, Mary , made	1-4	25.0% 5-14 35.7%

Player	Team	LAUREL COUNTY	Time	Score	GEORGE ROGERS CLARK	Player	Team
Collett, Steph., Reed, Stacey, Goforth, Steph., Minor, Dee, Isaacs, Julie					Poole, Anne, Lightner, Mary, Thomas, Maisha, Davis, Tiffany, Davis, Stephany Ball to Lady Cards		
1	1	Foul on Reed, Stacey	4 7:29				
1-1	100%	1-1 100%	12 ft Left Side Jump shot by Reed, Stacey	4 7:29	22-16*	Davis, Stephany, 2 Free Throws missed 1st made 2nd	1-2 50.0% 1-2 50.0%
		REB: 1 A: 0 BLK: 0 TO: 0 PF: 1 S: 0 FT: 0-0 00.0% FG: 1-2 50.0%	4 5:47			REB: 1 A: 0 BLK: 1 TO: 0 PF: 0 S: 0 FT: 1-2 50.0% FG: 0-1 00.0%	
T I M E - O U T					G E O R G E R O G E R S C L A R K N o . 1		
1	1	Out-of-Bounds by Collett, Steph.	4 5:47			Sub In: Conkwright, C. Out: Poole, Anne	
			4 5:29				
			4 5:07			Foul on Davis, Stephany	1 1
			4 4:47			Foul on Lightner, Mary	1 2
0-2	00.0%	0-2 00.0%	Reed, Stacey, 2 Free Throws missed both	4 4:47			
				4 4:35	24-18*	Driving Layup by Davis, Tiffany Assist by Thomas, Maisha	1-1 100% 1-5 20.0%
				4 3:38		Steal by Davis, Stephany	1 1
1	2	Dribbling Error on Reed, Stacey	4 3:37				
				4 3:32		Out-of-Bounds by Thomas, Maisha	1 1
		REB: 3 A: 0 BLK: 1 TO: 2 PF: 1 S: 0 FT: 0-2 00.0% FG: 1-2 50.0%	4 3:31			REB: 3 A: 1 BLK: 1 TO: 1 PF: 2 S: 1 FT: 1-2 50.0% FG: 1-5 20.0%	
N o . 1 L A U R E L C O U N T Y					T I M E - O U T		
				4 3:26		Foul on Davis, Stephany	2 3
				4 3:19		Steal by Davis, Stephany	2 2
2	3	Dribbling Error on Reed, Stacey	4 3:18				
2	2	Foul on Reed, Stacey	4 3:18				
				4 3:07		14 ft Left Side Jump shot by Davis, Stephany, missed	0-1 00.0% 1-6 16.6%
0-2	Tot-2	D-4 Tot-4	Rebound by Isaacs, Julie	4 3:03			
				4 3:00		Foul on Thomas, Maisha	1 4
1	4	Bad Pass by Isaacs, Julie	4 2:47				
				4 2:46	24-20*	6 ft Lane Turnaround by Conkwright, C. , made	1-1 100% 2-7 28.5%
1-1	100%	2-3 66.6%	Fast Break Layup by Minor, Dee, made	4 2:23	*26-20		
			Assist by Reed, Stacey				
1	1	Foul on Reed, Stacey	4 2:09				
3	3			4 2:09		Sub In: Caywood, Tara Out: Conkwright, C.	
				4 2:09	26-21*	Thomas, Maisha , 2 Free Throws made 1st missed 2nd	1-2 50.0% 2-4 50.0%
				4 2:07		Rebound by Davis, Tiffany	0-1 Tot-1 0-2 Tot-4
1	4	Foul on Minor, Dee	4 2:07				
				4 2:07	26-22*	Davis, Tiffany , 1 Free Throw made	1-1 100% 3-5 60.0%
				4 2:04		Davis, Tiffany , 1 Free Throw missed	1-2 50.0% 3-6 50.0%
0-2	Tot-2	D-5 Tot-5	Rebound by Collett, Steph.	4 2:04			
				4 2:04		Foul on Caywood, Tara	1 5
				4 2:04		Sub In: Conkwright, C. Out: Caywood, Tara	
2-2	100%	2-4 50.0%	Collett, Steph., 2 Free Throws made both	4 2:04	*28-22		
				4 1:46		17 ft Right Angle Jump shot by Lightner, Mary , missed	0-3 00.0% 2-8 25.0%
				4 1:42		Rebound by Davis, Stephany	0-1 Tot-1 0-3 Tot-5
				4 1:42		4 ft Lane Follow by Davis, Stephany, missed	0-2 00.0% 2-9 22.2%
				4 1:38		Rebound by Davis, Stephany	0-2 Tot-2 0-4 Tot-6
				4 1:38	28-24*	Follow Layup by Davis, Stephany, made	1-3 33.3% 3-10 30.0%
				4 1:37		Steal by Davis, Stephany	3 3
1	5	Dribbling Error on Minor, Dee	4 1:25				
				4 1:08		15 ft Lane Jump shot by Thomas, Maisha , missed	0-3 00.0% 3-11 27.2%
				4 1:06		Rebound by Davis, Stephany	0-3 Tot-3 0-5 Tot-7
4	5	Foul on Reed, Stacey	4 1:06				

Player	Team	LAUREL COUNTY	Time	Score	GEORGE ROGERS CLARK	Player	Team
Minor, Dee	1	Isaacs, Julie				Davis, Tiffany	1
		Steele, Joy				Davis, Stephany	1
		Reed, Stacey				Conkwright, C.	1
		Goforth, Steph.				Lightner, Mary	1
		Ball to Lady Cardinals				Thomas, Maisha	1
			3 7:36	17-10*	4 ft Lane Follow by Lightner, Mary		
			3 7:17				
		Traveling Violation on Isaacs, Julie	3 6:48				
		Steal by Steele, Joy	3 6:46		Bad Pass by Lightner, Mary	1	1
			3 6:26		Foul on Lightner, Mary	1	1
			3 6:26	*18-10			
		Steele, Joy, 2 Free Throws made 1st missed 2nd	3 5:59				
		Steal by Reed, Stacey	3 5:58		Forced by defense Thomas, Maisha	1	2
			3 5:35		Steal by Davis, Stephany	1	1
		Bad Pass by Minor, Dee	3 5:28				
		Foul on Minor, Dee	3 5:18				
		Foul on Isaacs, Julie	3 4:44				
			3 4:44	18-11*	Thomas, Maisha , 2 Free Throws missed 1st made 2nd	1-2	50.0%
			3 4:05	*20-11		1-2	50.0%
		6 ft Lane Bank by Steele, Joy	3 3:44				
		Assist by Goforth, Steph.	3 3:42		Bad Pass by Conkwright, C.	1	3
		Steal by Steele, Joy	3 3:33		Foul on Conkwright, C.	1	2
			3 3:33		Sub In: Poole, Anne Out: Conkwright, C.		
			3 3:33	*22-11			
		6 ft Lane Bank by Steele, Joy	3 2:41				
		Assist by Reed, Stacey	3 2:41				
		Foul on Steele, Joy	3 2:10	22-13*	13 ft Left Angle Jump shot by Davis, Stephany	1-4	25.0%
		Other Steele, Joy	3 1:36		Assist by Thomas, Maisha	1	1
			3 1:36	22-15*	4 ft Lane Fast Break by Thomas, Maisha	1-1	100%
		Foul on Steele, Joy	3 1:36			3-7	42.8%
		Sub In: Collett, Steph. Out: Steele, Joy	3 1:36		Thomas, Maisha , 1 Free Throw missed	1-3	33.3%
		Traveling Violation on Isaacs, Julie	3 :05.6				
			3 :00.2		3 pt 20 ft Circle Jump shot by Thomas, Maisha , missed	1-2	50.0%
						3-8	37.5%



LAUREL COUNTY					
Player					
25 - Minor, Dee	1 / 2	50.0%			
34 - Steele, Jo	2 / 3	66.6%			
04 - Reed, Stac	1 / 3	33.3%			
23 - Walker, Ti	0 / 1	0.0%			
Layups	1-9 Ft	10-15 Ft	Over 15 Ft	3 Pointers	Total
1 / 1	2 / 6	1 / 1	0 / 1	4 / 9	
100.0%	33.3%	100.0%	0.0%	44.4%	



GEORGE ROGERS CLARK					
Player					
14 - Davis, Tif	1 / 1	100.0%			
32 - Davis, Ste	2 / 7	28.5%			
30 - Conkwright	1 / 2	50.0%			
11 - Lightner, Ma	2 / 5	40.0%			
12 - Thomas, Ha	2 / 7	28.5%			
Layups	1-9 Ft	10-15 Ft	Over 15 Ft	3 Pointers	Total
2 / 2	4 / 9	1 / 6	0 / 2	1 / 3	8 / 22
100.0%	44.4%	16.7%	0.0%	33.3%	36.4%

OFFICIAL NCAA BASKETBALL BOX SCORE: * OFFICIAL FIRST HALF *
 Date: 03-23-91 Site: Frankfort, Ky.

VISITORS (Last Name, First)

NO.	GEORGE ROGERS CLARK	Tot FG		3-POINT		FT	FTA	Rebounds			PF	TP	A	TO	BLK	S	TIME
		FG	FGA	FG	FGA			OFF	DEF	TOT							
14	Davis, Tiffany	0	1	0	0	0	0	0	2	2	1	0	0	1	0	0	13:38
32	Davis, Stephany	2	4	0	0	0	0	2	0	2	0	4	0	5	0	0	16:00
30	Conkwright, C.	0	2	0	0	0	0	0	1	1	2	0	0	0	0	0	9:02
11	Lightner, Mary	0	0	0	0	0	0	0	1	1	1	0	0	2	0	0	16:00
12	Thomas, Maisha	1	2	0	0	1	4	0	1	1	0	3	0	1	2	0	16:00
22	Poole, Anne	0	1	0	0	1	2	1	1	2	1	1	1	0	0	0	9:20
TEAM REBOUNDS (INCLUDED IN TOTALS)																	
TOTALS		3	10	0	0	2	6	3	6	9	5	8	1	9	2	0	80

TOTAL FG 1st HALF 0/4 0.0% 2nd HALF 3/6 50.0% GAME 3/10 30.0% DEADBALL
 3-POINT FG 1st HALF 0/0 0.0% 2nd HALF 0/0 0.0% GAME 0/0 0.0% REBOUNDS 2
 FREE THROWS 1st HALF 0/0 0.0% 2nd HALF 2/6 33.3% GAME 2/6 33.3%

HOME (Last Name, First)

NO.	LAUREL COUNTY	Tot FG		3-POINT		FT	FTA	Rebounds			PF	TP	A	TO	BLK	S	TIME
		FG	FGA	FG	FGA			OFF	DEF	TOT							
25	Minor, Dee	1	2	0	0	0	0	0	0	0	0	2	1	0	0	1	16:00
32	Isaacs, Julie	1	1	0	0	0	0	0	1	1	1	2	0	0	0	0	16:00
34	Steele, Joy	1	2	0	0	2	2	2	1	3	2	4	0	1	0	0	8:17
04	Reed, Stacey	4	10	1	2	0	0	1	1	2	1	9	2	3	0	3	16:00
22	Goforth, Steph.	0	1	0	0	0	0	0	1	1	2	0	0	0	0	0	16:00
12	Collett, Steph.	0	0	0	0	0	0	0	1	1	0	0	0	1	0	1	7:43
TEAM REBOUNDS (INCLUDED IN TOTALS)																	
TOTALS		7	16	1	2	2	2	3	5	8	6	17	3	5	0	5	80

TOTAL FG 1st HALF 4/9 44.4% 2nd HALF 3/7 42.9% GAME 7/16 43.8% DEADBALL
 3-POINT FG 1st HALF 1/2 50.0% 2nd HALF 0/0 0.0% GAME 1/2 50.0% REBOUNDS 1
 FREE THROWS 1st HALF 2/2 100.0% 2nd HALF 0/0 0.0% GAME 2/2 100.0%

OFFICIALS: David Hale, Cathy Stovall, D. Newton
 Technicals: None

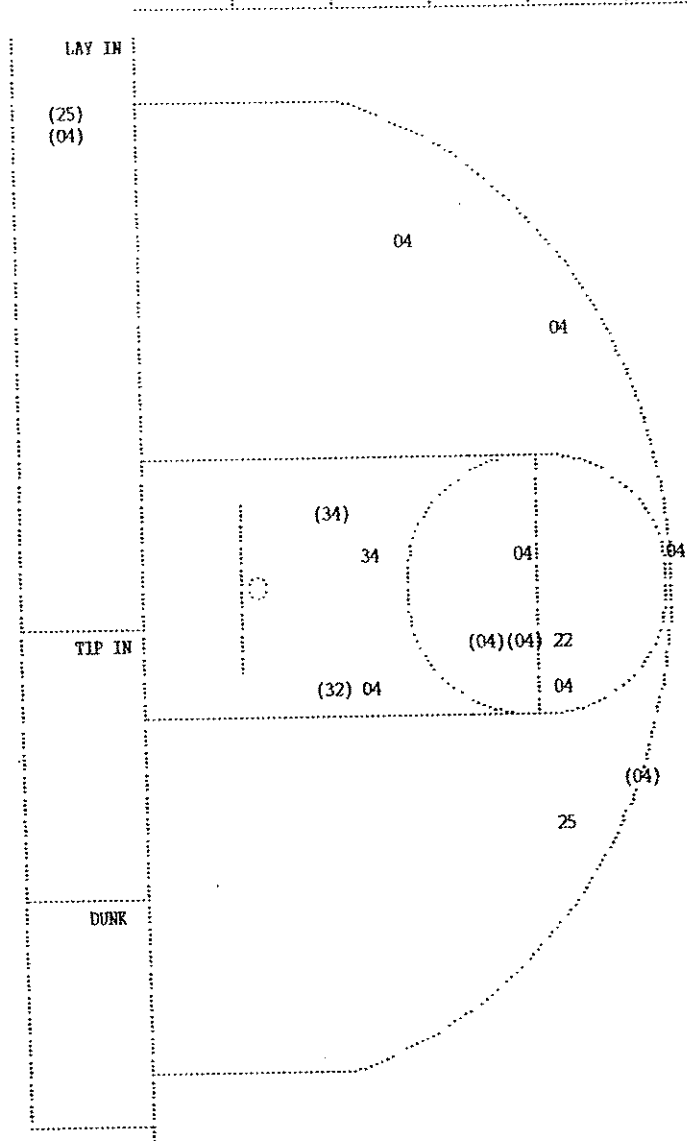
SCORE BY PERIODS			
GEORGE ROGERS CLARK	0	8	= 8
LAUREL COUNTY	11	6	= 17

Attendance:

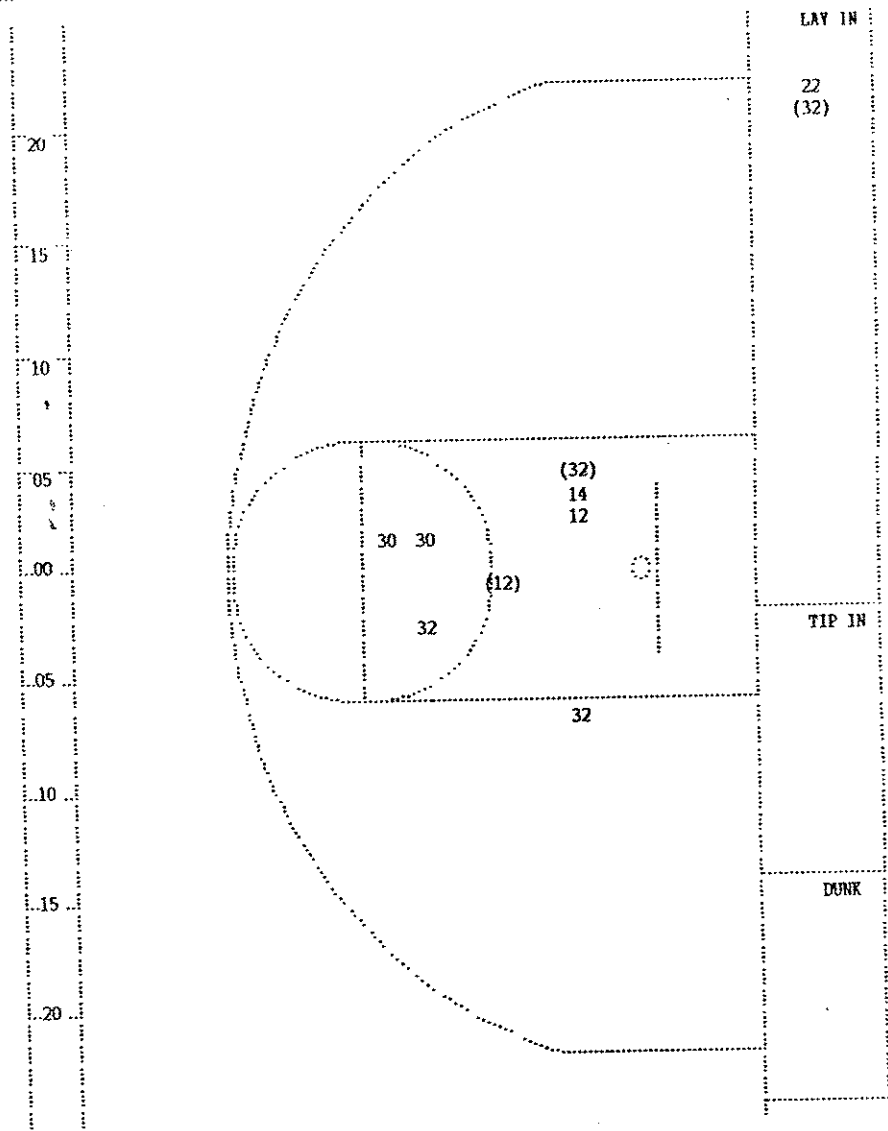
COMMENTS:	POINTS OFF TURNOVERS	SECOND CHANCE POINTS
GEORGE ROGERS CLARK	3	5
LAUREL COUNTY	10	4

Player	Team	LAUREL COUNTY	Time	Score	GEORGE ROGERS CLARK	Player	Team
Reed, Stacey, Goforth, Steph., Minor, Dee, Isaacs, Julie, Steele, Joy					Poole, Anne, Davis, Stephany, Davis, Tiffany, Thomas, Maisha, Lightner, Mary Ball to Lady Cards		
1	1	Foul on Steele, Joy	2	7:43			
		Sub In: Collett, Steph. Out: Steele, Joy	2	7:43			
			2	7:43	11-1*	Poole, Anne, 2 Free Throws missed 1st made 2nd	1-2 50.0% 1-2 50.0%
			2	7:08	11-3*	6 ft Lane Turnaround by Thomas, Maisha Assist by Poole, Anne	1-1 100% 1-2 50.0%
1	2	Foul on Goforth, Steph.	2	6:08			
			2	6:08		Thomas, Maisha, 2 Free Throws missed both	0-2 00.0% 1-4 25.0%
2	3	Foul on Goforth, Steph.	2	5:08			
		REB: 1 A: 0 BLK: 0 TO: 0 PF: 3	2	5:07		REB: 4 A: 1 BLK: 1 TO: 0 PF: 0	
		S: 0 FT: 0-0 00.0% FG: 0-3 00.0%	No. 1 LAUREL COUNTY T I M E - O U T			S: 0 FT: 1-4 25.0% FG: 1-2 50.0%	
1	1	Steal by Collett, Steph.	2	5:03			
			2	5:01		Unforced Error Davis, Stephany	1 1
1-1	100%	1-4 25.0%	2	4:45	*13-3		
1	1	Driving Layup by Minor, Dee Assist by Reed, Stacey	2	4:33		Unforced Error Davis, Stephany	2 2
1	1	Traveling Violation on Reed, Stacey	2	4:04			
1	4	Foul on Reed, Stacey	2	3:44			
			2	3:43		Sub In: Conkwright, C. Out: Davis, Tiffany	
1-3	33.3%	2-5 40.0%	2	3:43	13-4*	Thomas, Maisha, 2 Free Throws made 1st missed 2nd	1-4 25.0% 2-6 33.3%
1	1	12 ft Lane Jump shot by Reed, Stacey Assist by Minor, Dee	2	3:11	*15-4		
			2	2:44	15-6*	Follow Layup by Davis, Stephany	1-2 50.0% 2-4 50.0%
2-4	50.0%	3-7 42.8%	2	2:26	*17-6		
			2	1:55		Traveling Violation on Davis, Stephany	3 3
2	2	Out-of-Bounds by Reed, Stacey	2	1:38			
			2	1:21		Sub In: Davis, Tiffany Out: Poole, Anne	
			2	:55.7	17-8*	4 ft Lane Follow by Davis, Stephany	2-3 66.6% 3-6 50.0%
1	3	Out-of-Bounds by Collett, Steph.	2	:02.5			

Player	Team	LAUREL COUNTY	Time	Score	GEORGE ROGERS CLARK	Player	Team
Minor, Dee	1	Isaacs, Julie				Davis, Tiffany	
		Steele, Joy				Davis, Stephany	
		Reed, Stacey				Conkwright, C.	
		Goforth, Steph.				Lightner, Mary	
		Ball to Lady Cardinals				Thomas, Maisha	
1	1	Traveling Violation on Steele, Joy	1 7:49				
			1 6:16		Bad Pass by Lightner, Mary	1	1
			1 5:58		Foul on Lightner, Mary	1	1
1	2	Traveling Violation on Reed, Stacey	1 5:52				
1	1	Steal by Minor, Dee	1 5:34				
			1 5:33		Bad Pass by Davis, Stephany	1	2
			1 5:00		Foul on Conkwright, C.	1	2
2-2	100%	2-2	100%	Steele, Joy, 2 Free Throws made both	1 5:00	*2-0	
1	2	Steal by Reed, Stacey	1 4:44				
			1 4:43		Bad Pass by Davis, Tiffany	1	3
1-2	50.0%	1-4	25.0%	4 ft Lane Turnaround by Steele, Joy	1 4:26	*4-0	
1	1	Assist by Reed, Stacey	1 4:03				
2	3	Steal by Reed, Stacey	1 4:03		Dribbling Error on Lightner, Mary	2	4
			1 4:03		Foul on Davis, Tiffany	1	3
1-1	100%	2-5	40.0%	4 ft Lane Turnaround by Isaacs, Julie	1 3:55	*6-0	
			1 3:27		Traveling Violation on Thomas, Maisha	1	5
1-3	33.3%	3-6	50.0%	10 ft Lane Jump shot by Reed, Stacey	1 3:18	*8-0	
			1 2:41		Foul on Conkwright, C.	2	4
			1 2:41		Sub In: Poole, Anne Out: Conkwright, C.		
2-4	50.0%	4-7	57.1%	3 pt 20 ft Left Angle Jump shot by Reed, Stacey	1 2:41	*11-0	
			1 2:13				
		REB: 4 A: 1 BLK: 0 TO: 2 PF: 0			REB: 1 A: 0 BLK: 1 TO: 5 PF: 4		
		S: 3 FT: 2-2 100% FG: 4-7 57.1%		T I M E - O U T	GEORGE ROGERS CLARK No. 1	S: 0 FT: 0-0 00.0% FG: 0-2 00.0%	
1	1	Foul on Isaacs, Julie	1 1:58				
			1 1:55		Foul on Poole, Anne	1	5
1	2	Foul on Steele, Joy	1 :22.7				
3	4	Steal by Reed, Stacey	1 :04.5				
			1 :02.1		Dribbling Error on Davis, Stephany	2	6



LAUREL COUNTY					
Player		Player		Player	
25 - Minor, Dee	1 / 2	50.0%			
32 - Isaacs, Ju	1 / 1	100.0%			
34 - Steele, Jo	1 / 2	50.0%			
04 - Reed, Stac	4 / 10	40.0%			
22 - Goforth, S	0 / 1	0.0%			
Layups	1-9 Ft	10-15 Ft	Over 15 Ft	3 Pointers	Total
2 / 2	2 / 4	2 / 5	0 / 3	1 / 2	7 / 16
100.0%	50.0%	40.0%	0.0%	50.0%	43.8%



GEORGE ROGERS CLARK					
Player		Player		Player	
14 - Davis, Tif	0 / 1	0.0%			
32 - Davis, Ste	2 / 4	50.0%			
30 - Conkwright	0 / 2	0.0%			
12 - Thomas, Ma	1 / 2	50.0%			
22 - Poole, Ann	0 / 1	0.0%			
Layups	1-9 Ft	10-15 Ft	Over 15 Ft	3 Pointers	Total
1 / 2	2 / 5	0 / 3			3 / 10
50.0%	40.0%	0.0%			30.0%

1991 Girls State Basketball Tournament

Awards Presentations (Friday night)

K.A.P.O.S. Sweet Sixteen State Tournament Cheerleading Championships

4th Place - Clark County

3rd Place - Central Hardin

2nd Place - Southern

1st Place - Marshall County

Pat Dooley K-Pep Award - Central Hardin

Awards Presentations (halftime, Championship Game)

K.A.P.O.S. Sweet Sixteen State at Large Cheerleading Championships

5th Place - Harrison County

4th Place - Spencer County

3rd Place - Reidland

2nd Place - Pikeville

1st Place - Greenup County

Pat Dooley K-Pep Award - Muhlenberg South

Semi-Finalist Team Awards (halftime, Championship Game)

Henry Clay

Whitesburg

K.H.S.A.A. Sweet Sixteen Academic Scholarship Award (\$1000) (2)

Presented by Dawahare's - Lori Schmidt, Conner

Presented by McDonalds - Kelly Hardman, Bullitt East

J.B. Mansfield Award - Academic Achievement, Athletic Ability, Citizenship, Sportsmanship

(presented by the Louisville Courier Journal) - Christi Osborne, Conner

1991 State Tournament Runner-up - George Rogers Clark

1991 State Tournament Champion - Laurel County

1991 All State Tournament Team

* - Alicia Blevel, Southern

* - Shirley Bryant, Henry Clay

* - Stephany Davis, Clark County

* - Jennifer Dinsmore, Clay County

* - Tracy Ison, Whitesburg

* - Missy Jackson, Henry Clay

* - Christina Jansen, Meray

* - Shelly Nichols, Henry Clay

* - Christi Osborne, Conner

* - Carolyn Potter, Whitesburg

* - Stacey Reed, Laurel County

* - Maisha Thomas, Clark County

1991 Most Valuable Player (Presented by Lexington Herald Leader)

* - Stacy Reed, Laurel County